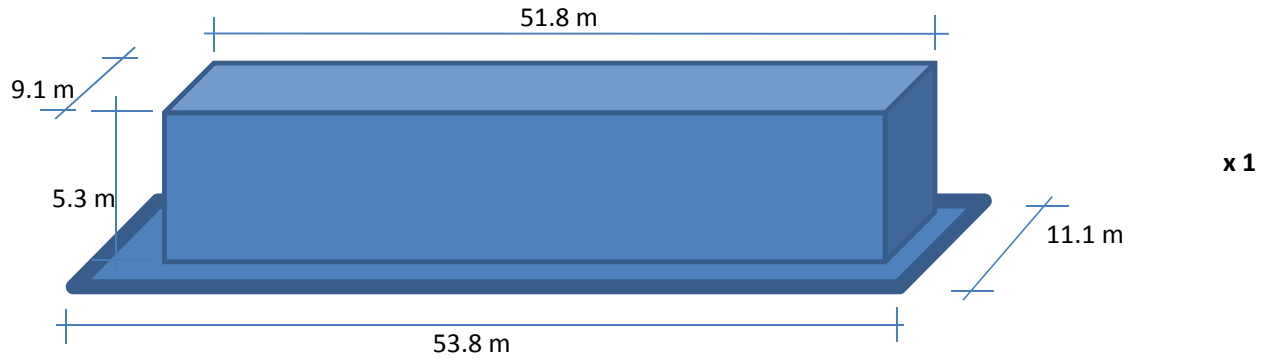


Caution : All the dimensions are interior

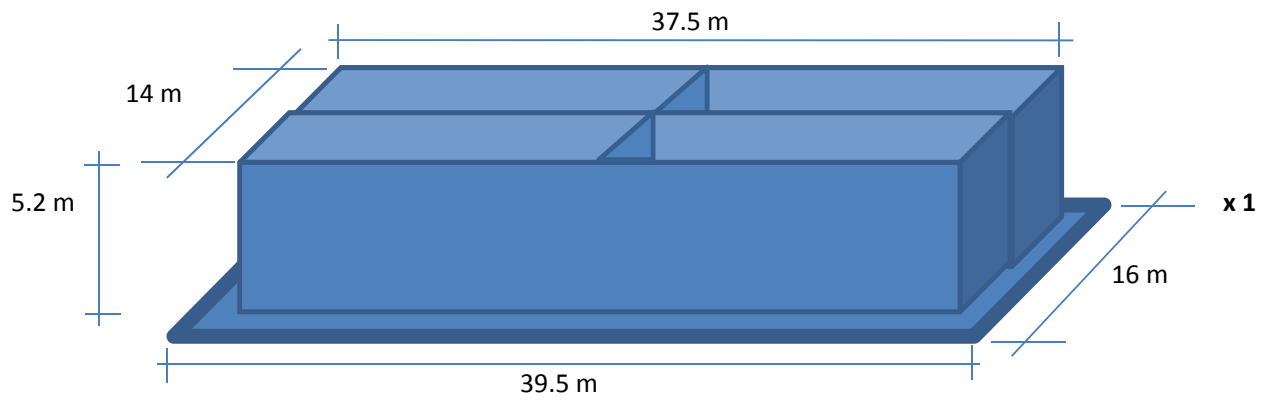
PRIMARY CLARIFIER



	Walls	Slab	
Thickness	0.45	0.6	(m)

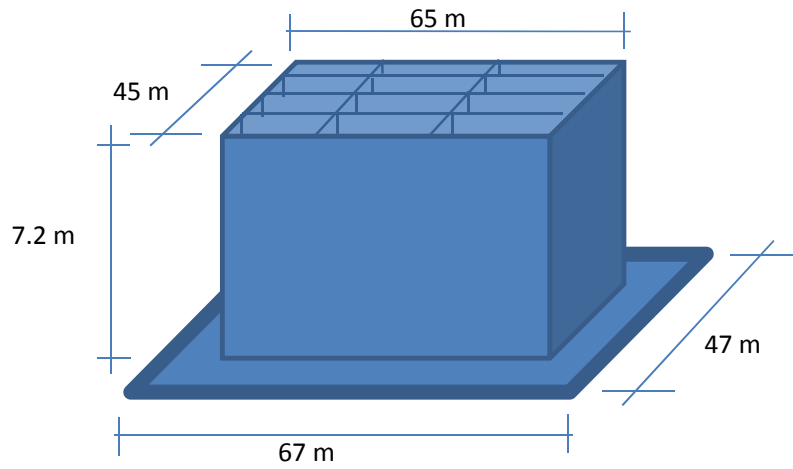
Bio P-CAS

Anaerobic and anoxic basins : existing HPO
2 new basins :



	Walls	Slab	
Thickness	0.4	0.6	(m)

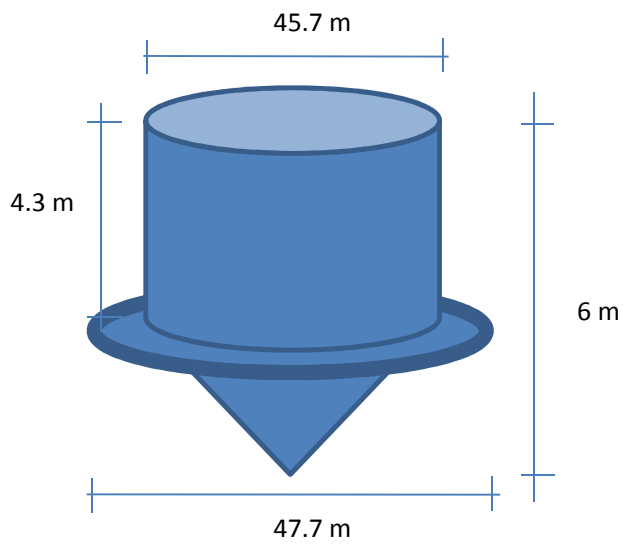
BNR Basins



x 1

	Walls	Slab	
Thickness	0.4	0.6	(m)

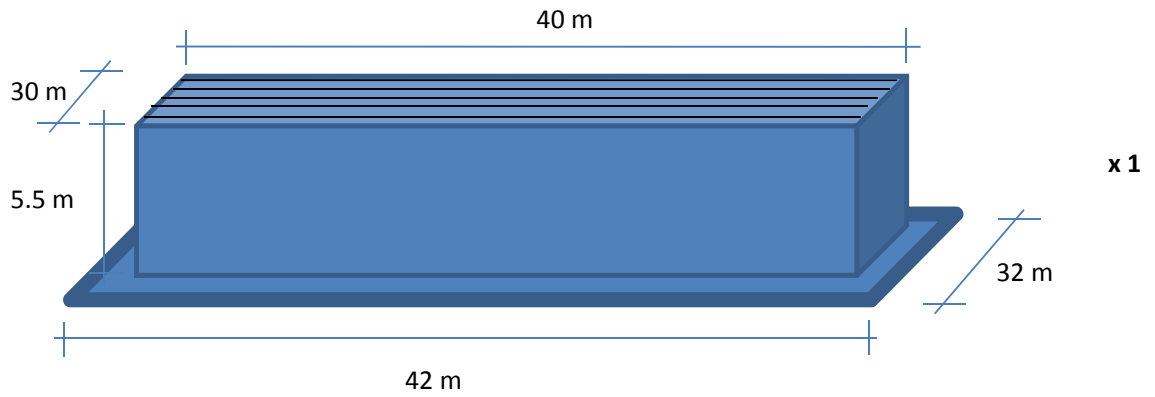
SECONDARY CLARIFIERS



x 2

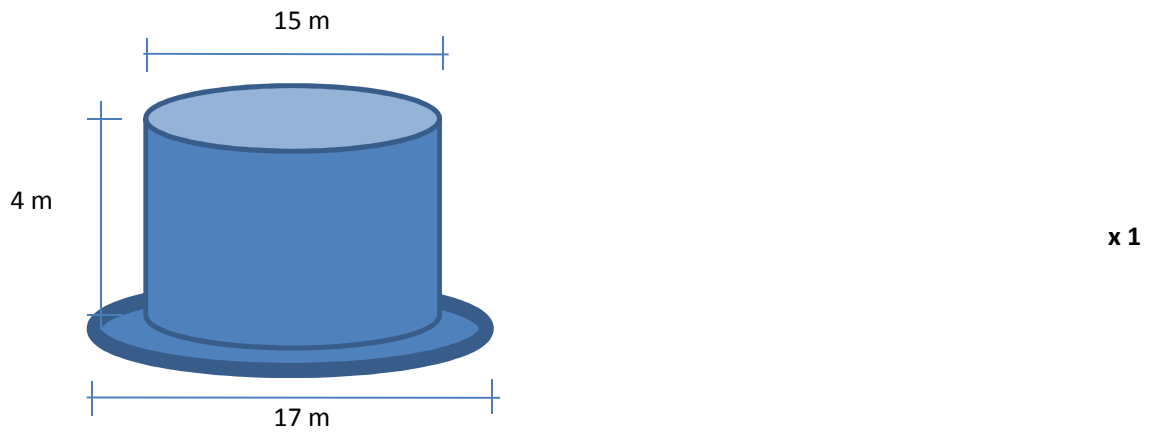
	Walls	Slab	
Thickness	0.45	0.6	(m)

CHLORINATION TANK



	Walls	Slab	
Thickness	0.45	0.6	(m)

DEGAZING TANKS



	Walls	Slab	
Thickness	0.45	0.6	(m)